



ETZIA: Groupe Capteurs

vincent.philippon@eurocopter.com

gwenael.raguenes@eurocopter.com

The 25th of May, 2013



thinking without limits



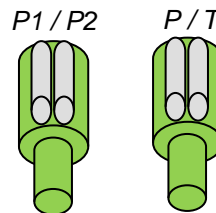
EUROCOPTER
AN EADS COMPANY

Some R&R of the Sensor Group

- Define sensor specifications and the strategy : re-use or new development
- Promote technical innovation / technological steps
- Provide technical support for sensor issues
- ETZIA : to promote complete end-to-end solution
→ Sensor + Mechanical & electrical integration



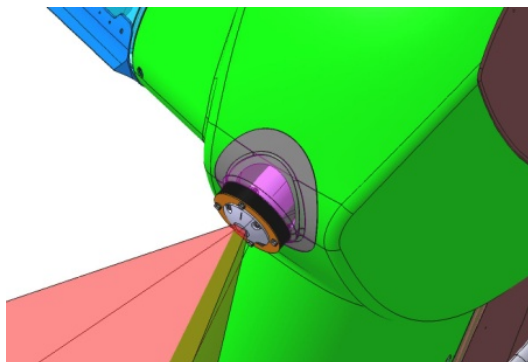
Wireless sensor



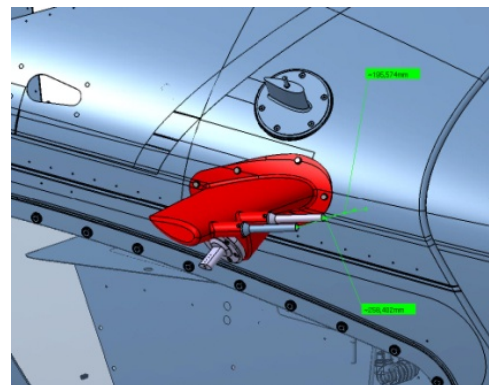
Multifunctional sensors (CAN)



Digital sensor (CAN)



Camera integration



Pitot, Static and OAT installation and tuning

Sensors such as

- Accelerometer
- Pressure : Drive, Hydraulic, Fuel
- Temperature : Drive, Hydraulic, ECS
- Tach, speed sensor
- Chip sensor
- Pitot, Pitot-Static, OAT,
- Gage : oil (Drive & Hydraulic), Fuel
- Shock : bird strike
- WIS, Smoke detector, Fire detector
- Camera
- New needs (CBM...) : Oil quality & debris

monitoring, microphone, rotor load & temperature...



Some Needs

Health Monitoring System by mean of sensors & accelerometers placed on various mechanical parts.

- Critical parts & engines vibration monitoring

